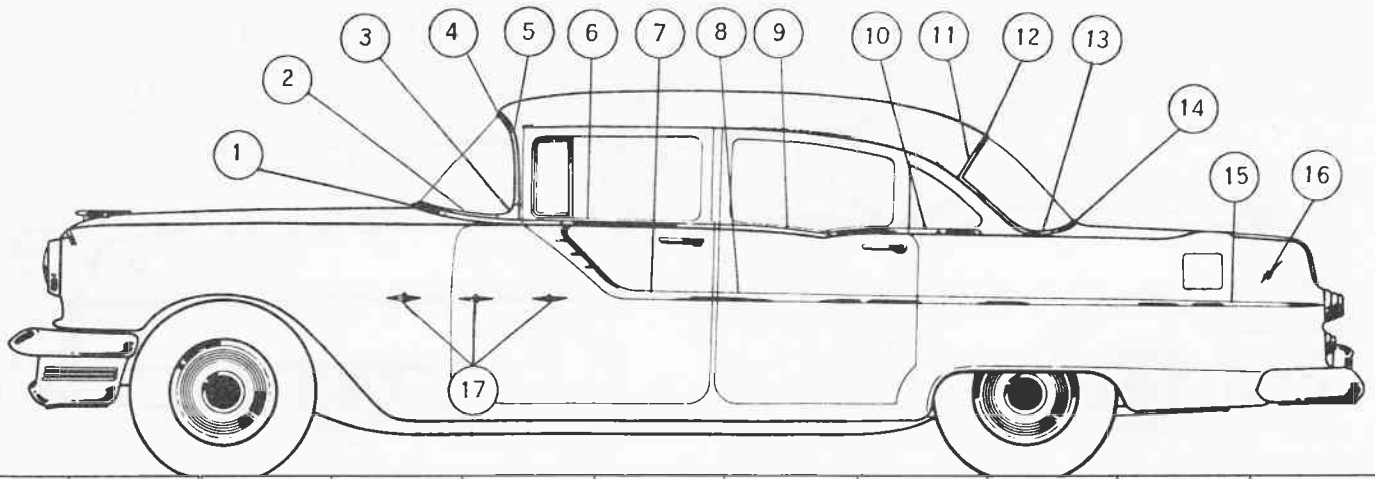


CODE	MOLDING NO.	BOLT & CLIP	BOLT	CLIP	SCREW	WASHER	NUT	SPACER	RETAINER	STUD & CLIP
------	-------------	-------------	------	------	-------	--------	-----	--------	----------	-------------

NUMBER PRECEDING ATTACHING PART NUMBER INDICATES QUANTITY REQUIRED PER CAR

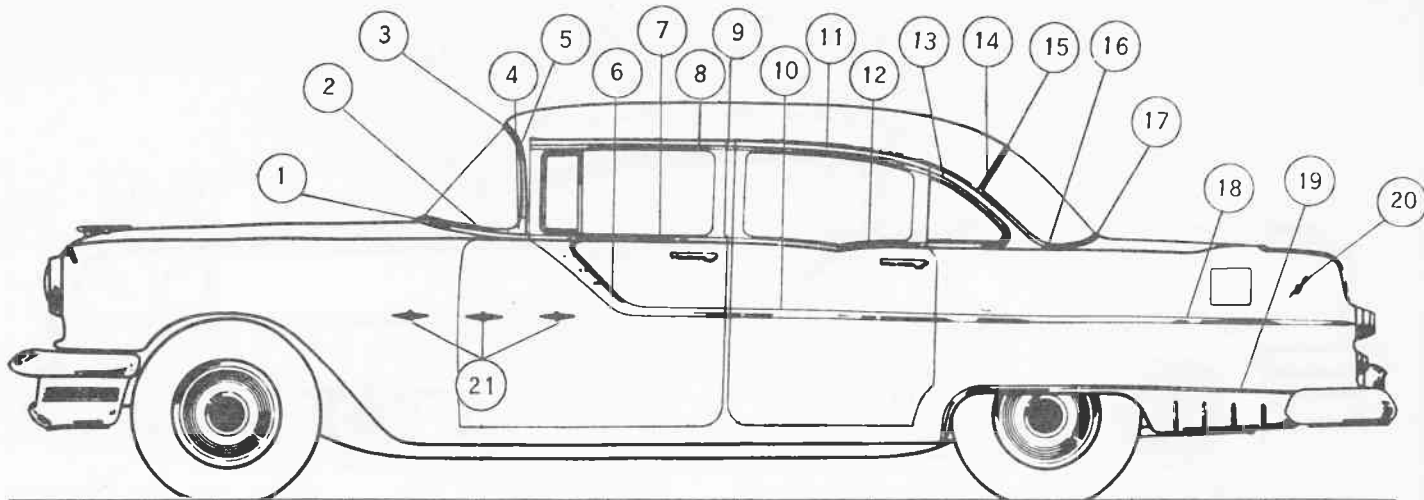
CODE	MOLDING NO.	BOLT & CLIP	BOLT	CLIP	SCREW	WASHER	NUT	SPACER	RETAINER	STUD & CLIP
1	4654578(E)									
2	4646490-91	2-4665343		1-4678693	3-445974				2-4644959	
				2-4655478	4-169180					
3	4649993-94				4-169180					
4	4646446(E)									
5	4654615-16				2-169180					
6	4661927-28				6-#8-32 x 3/8" Flat Hd.					
7	4664341-42				2-169180					
					2-165063					
8	4658518-19				10-431601					
9	4658522-23				6-#8-18 x 3/4" Oval Hd.					
					8-111633					
10	4665204-05	8-4588152		2-4667687	2-#10-24 x 3/8" Pan Hd.			14-4621332		
		6-4637277			4-431601					
11	4663157-58	2-4670023		4-4674640	2-442610			4-4621332		
		4-4673143								
12	4663159-60				12-442610					
13	4663333-34				10-442610					
14	4663331-32				16-442610					
					2-#8-15 x 1-1/4" Flat Hd.					
15	4648137-38	2-4637277	2-4628748	6-4664269				4-4621332		
				10-4645030						
16	4663335-36				4-164352					
					6-442610					
17	520521-22						20-446059	14-519656		
18	2-520408			4-520414						
19	6-518658			12-514574						



CODE	MOLDING NO.	BOLT & CLIP	BOLT	CLIP	SCREW	WASHER	NUT	SPACER	RETAINER	STUD & CLIP
------	-------------	-------------	------	------	-------	--------	-----	--------	----------	-------------

NUMBER PRECEDING ATTACHING PART NUMBER INDICATES QUANTITY REQUIRED PER CAR

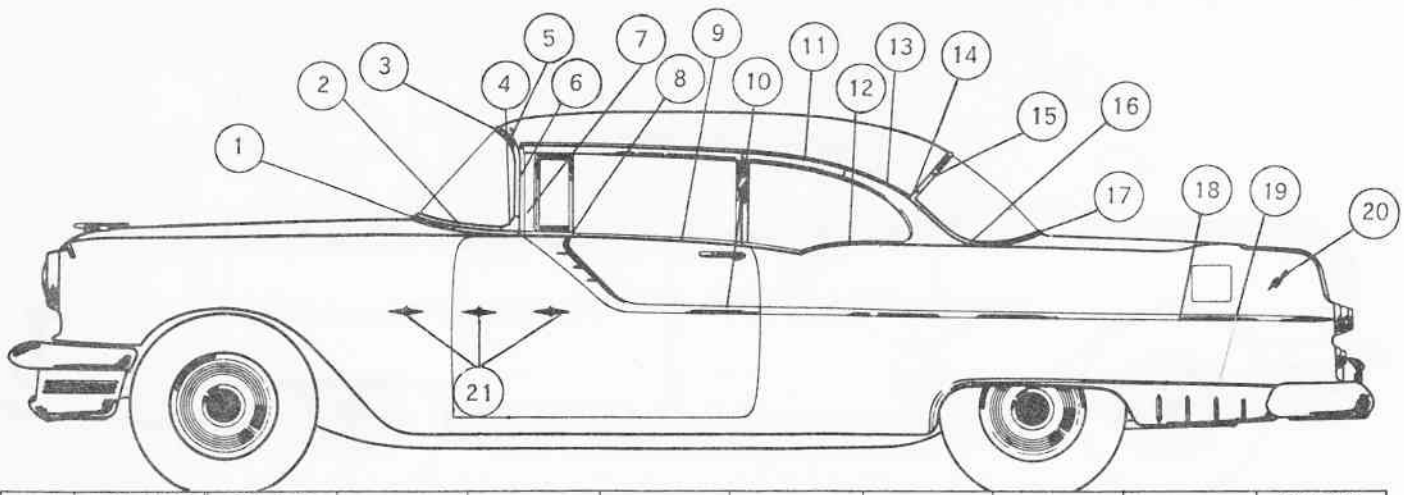
1	4654578(E)									
2	4646490-91	2-4665343		2-4655478	3-445974	2-4629829	2-4644959			
				1-4676693	2-169180					
3	4649993-94				2-#8-32 x 3/8" Flat Hd.					
					2-169180					
4	4646446(E)									
5	4654613-14				2-169180					
6	4643355R&L			4-4643034	4-164016					
				12-4640845						
7	4647921-22	8-4588152		2-4667687	4-169180		12-4621332			
		4-4637277			2-#10-32 x 3/8" Pan Hd.					
8	4644990-91			8-4645030	4-#10-24 x 3/8" Pan Hd.					
				4-4667687						
9	4643397-98			14-4640845	4-164016					
				4-4643034						
10	4654247-48			4-4640845						
11	4646945-46			8-4657731						
12	4647354(E)									
13	4646943-44			12-4657731						
14	4647160(E)									
15	4661817-18	2-4637277	2-4628748				4-4621332			
				8-4645030						
				8-4664269						
16	2-520408			4-520414						
17	6-518658			12-514574						



CODE	MOLDING NO.	BOLT & CLIP	BOLT	CLIP	SCREW	WASHER	NUT	SPACER	RETAINER	STUD & CLIP
------	-------------	-------------	------	------	-------	--------	-----	--------	----------	-------------

NUMBER PRECEDING ATTACHING PART NUMBER INDICATES QUANTITY REQUIRED PER CAR

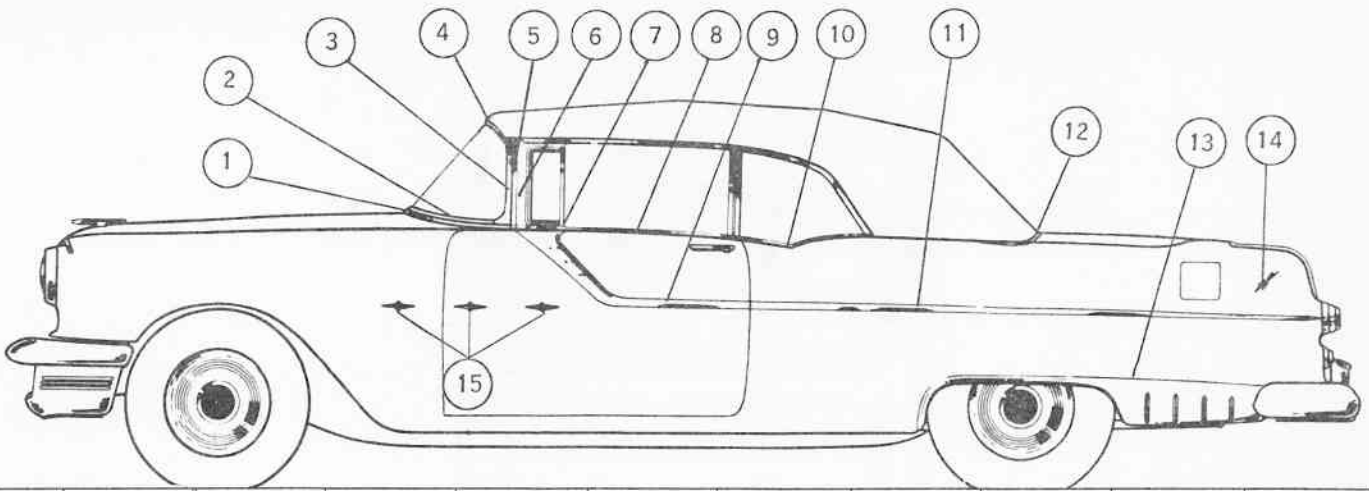
1	4654578(E)									
2	4646490-91	2-4665343		1-4676693 2-4655478	3-445974 2-169180	2-4629829	2-4644959			
3	4646446(E)									
4	4649993-94				2-#8-32 x 3/8" Flat Hd. 2-169180					
5	4654613-14				2-169180					
6	4647921-22	8-4588152 4-4637277		2-4667687	2-#10-32 x 3/8" Pan Hd. 4-445974		12-4621332			
7	4643355R&L			4-4643034 12-4640845	4-164016					
8	4643472-73			2-4643034 14-4644700	2-164016					
9	4643177	2-4643486					2-4644959			
10	4644990-91			8-4645030 4-4667687	4-#10-24 x 3/8" Pan Hd.					
11	4644332-33			14-4644700 4-4643034	4-164016					
12	4643397-98			14-4640845 4-4643034	4-164016					
13	4648556-57			6-4644700						
14	4646945-46			8-4657731						
15	4647354(E)									
16	4646943-44			12-4657731						
17	4647160(E)									
18	4661817-18	2-4637277	2-4628748	8-4645030 8-4664269			4-4621332			
19	519341-42						20-446059	14-519656		
20	2-520408			4-520414						
21	6-518658			12-514574						



CODE	MOLDING NO.	BOLT & CLIP	BOLT	CLIP	SCREW	WASHER	NUT	SPACER	RETAINER	STUD & CLIP
------	-------------	-------------	------	------	-------	--------	-----	--------	----------	-------------

NUMBER PRECEDING ATTACHING PART NUMBER INDICATES QUANTITY REQUIRED PER CAR

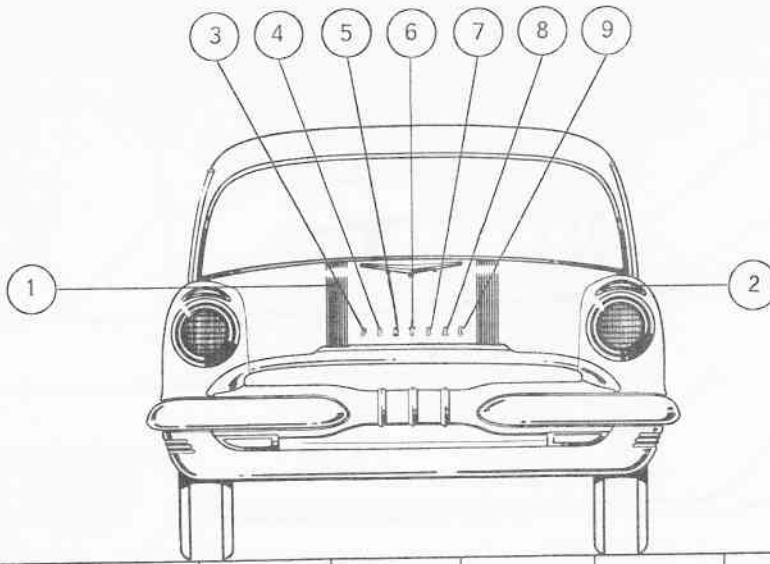
CODE	MOLDING NO.	BOLT & CLIP	BOLT	CLIP	SCREW	WASHER	NUT	SPACER	RETAINER	STUD & CLIP
1	4654578(E)									
2	4646490-91	2-4665343		1-4676693 2-4655478	3-445974 2-169180	2-4629829	2-4644959			
3	4646446									
4	4649993-94				2-169180 2-#8-32 x 3/8" Flat Hd.					
5	4654615-16				2-169180					
6	4648756-57				6-#8-32 x 3/8" Flat Hd. 2-169180					
7	4648236-37				2-165063					
8	4686948-49				2-4666209					
9	4649323-24				12-431601					
10	4647919-20	8-4588152 6-4637277 4-4599924		2-4667687	4-169180 2-#10-32 x 3/8" Pan Hd.		14-4621332 4-4621332			
11	4649928-29				10-145417					
12	4649366-67				10-446869					
13	4650064-65				6-#8-32 x 5/16" Hdr. Pt. 2-446869 2-431601		6-#8-32 "J"			
14	4648755					#6 Ext.	2-134530			
15	4648489			8-4657731						
16	4648254-55			14-4657731						
17	4647160(E)									
18		2-4637277	2-4628748				4-4621332			
				10-4645030						
19	519341-42						20-446059	14-519656	8-519652 2-519653 2-519654 2-519655	
20	2-520408			4-520414						
21	6-518658			12-514574						



CODE	MOLDING NO.	BOLT & CLIP	BOLT	CLIP	SCREW	WASHER	NUT	SPACER	RETAINER	STUD & CLIP
------	-------------	-------------	------	------	-------	--------	-----	--------	----------	-------------

NUMBER PRECEDING ATTACHING PART NUMBER INDICATES QUANTITY REQUIRED PER CAR

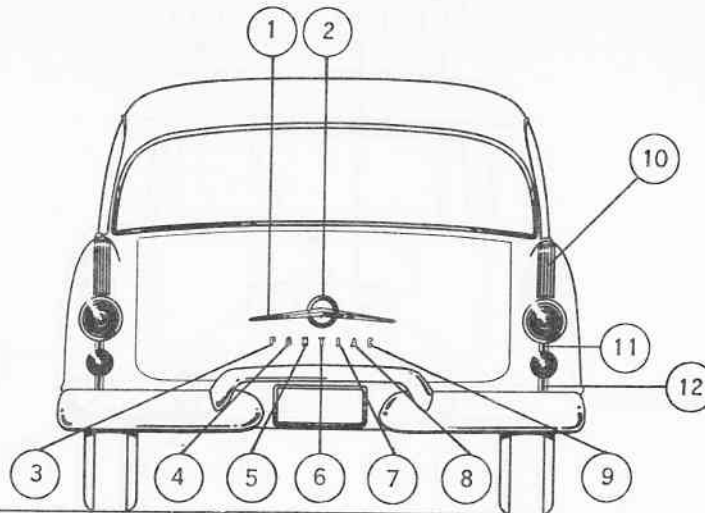
1	4654578(E)									
2	4646490-91	2-4665343		1-4676693	3-445974	2-4629829	2-4644959			
				2-4655478	2-169180					
3	4648764-65				4-#8-32 x 3/8" Flat Hd.					
4	4648250				2-#8-32 x 3/8" Flat Hd.					
5	4649393-94				6-#8-32 x 3/8" Flat Hd.					
6	4664341-42				2-169180					
					2-165063					
7	4686948-49				2-4666209					
8	4649323-24				12-431601					
9	4647919-20	8-4588152		2-4667687	4-169180		14-4621332			
		6-4637277			2-#10-32 x 3/8" Pan Hd.		4-4621332			
		4-4599924								
10	4649064-65				8-4662875					
11	4661819-20	2-4637277	2-4628748	16-4645030			4-4621332			
				8-4609429						
12	4649652-53			18-4654206	1-4662875					
13	519341-42						20-446059	14-519656	8-519652	
									2-519653	
									2-519654	
									2-519655	
14	2-520408			4-520414						
15	6-518658			12-514574						



CODE	MOLDING NO.	BOLT & CLIP	BOLT	CLIP	SCREW	WASHER	NUT	SPACER	RETAINER	STUD & CLIP
------	-------------	-------------	------	------	-------	--------	-----	--------	----------	-------------

NUMBER PRECEDING ATTACHING PART NUMBER INDICATES QUANTITY REQUIRED PER CAR

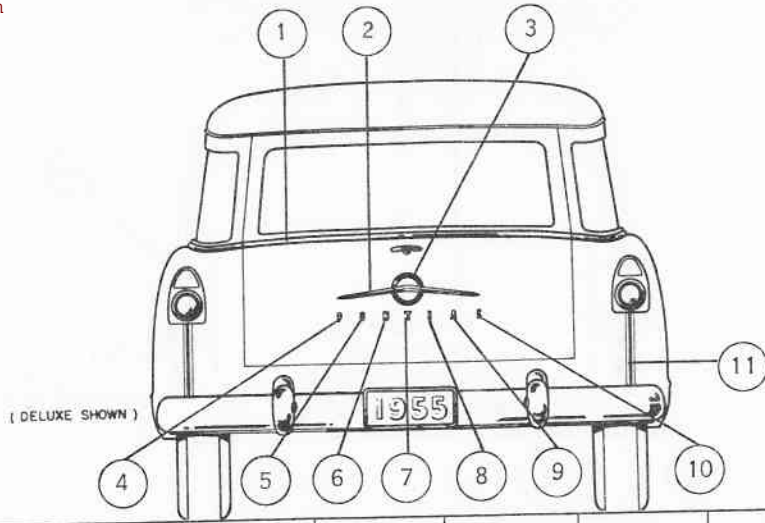
CODE	MOLDING NO.	BOLT & CLIP	BOLT	CLIP	SCREW	WASHER	NUT	SPACER	RETAINER	STUD & CLIP
1	519565-66			24-519730						
2	2-519579						4-#10-24 x 3/8" Hex.		2-519584	
3	519494						1-521197			
4	519495						1-521197			
5	519496						1-521197			
6	519497						1-521197			
7	519498						1-521197			
8	519499						1-521197			
9	519500						1-521197			



CODE	MOLDING NO.	BOLT & CLIP	BOLT	CLIP	SCREW	WASHER	NUT	SPACER	RETAINER	STUD & CLIP
------	-------------	-------------	------	------	-------	--------	-----	--------	----------	-------------

NUMBER PRECEDING ATTACHING PART NUMBER INDICATES QUANTITY REQUIRED PER CAR

1	518575						4-121801	2-446059		
2	518574									
3	519494			1-521197		1-519501				
4	519495			1-521197		1-519501				
5	519496			1-521197		1-519501				
6	519497			1-521197		1-519501				
7	519498			1-521197		1-519501				
8	519499			1-521197		1-519501				
9	519500			1-521197		1-519501				
10	2-519234					4-519673 4-519267 4-1/4" Ext. Lock	4-120375			
11	2-520826			4-520414						
12	2-520827			4-520414						



(DELUXE SHOWN)

CODE	MOLDING NO.	BOLT & CLIP	BOLT	CLIP	SCREW	WASHER	NUT	SPACER	RETAINER	STUD & CLIP
------	-------------	-------------	------	------	-------	--------	-----	--------	----------	-------------

NUMBER PRECEDING ATTACHING PART NUMBER INDICATES QUANTITY REQUIRED PER CAR

CODE	MOLDING NO.	BOLT & CLIP	BOLT	CLIP	SCREW	WASHER	NUT	SPACER	RETAINER	STUD & CLIP
1	4648474			3-4667442	3-431601					
2	518575						4-4644959			
3	518574									
4	4650361			2-4635016						
5	4650362			2-4635016						
6	4650363			2-4635016						
7	4650364			2-4635016						
8	4650365			2-4635016						
9	4650366			2-4635016						
10	4650367			2-4635016						
11	2-520924			12-520414						

